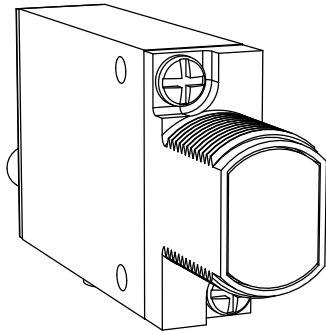


## Instruction Manual

Microprocessor-Based TEACH Mode Photoelectric Sensors



U.S. patent(s) issued or pending

- TEACH-mode sensors in the popular MINI-BEAM package
- Easy push-button programming automatically adjusts sensitivity to optimal setting
- Multiple sensing modes include retroreflective, polarized retro, clear object detection, diffuse, divergent, and convergent, plus glass and plastic fiber optic models
- Fast, 500 microsecond (0.5 millisecond) output response
- Bipolar NPN (sinking)/PNP (sourcing) outputs
- Easy output programming eliminates the need for Light or Dark operate selection
- Separate TEACH input allows remote programming by an external device, such as a switch or process controller
- LED status indications for received signal strength (using Banner's AID™ function), power ON, and output state
- Green Stability indicator flashes when received signal level approaches the switching threshold, also indicates Power ON
- Integral 2 m (6.5 ft) cable or 5-pin Euro-style quick-disconnect (QD) connector, depending on model; 9 m (30 ft) cable models are also available



**WARNING:** Not To Be Used for Personnel Protection

Never use this device as a sensing device for personnel protection. Doing so could lead to serious injury or death. This device does not include the self-checking redundant circuitry necessary to allow its use in personnel safety applications. A sensor failure or malfunction can cause either an energized or de-energized sensor output condition.

## Models

### Retroreflective Models

| Model <sup>1</sup> | Sensing Mode  | Range or Focus <sup>2</sup>          | Supply Voltage     | Output Type     |
|--------------------|---|--------------------------------------|--------------------|-----------------|
| SME312LV           | Retroreflective, Visible red, 650 nm                          | 5 m (15 ft)                          | 10 V dc to 30 V dc | Bipolar NPN/PNP |
| SME312LP           | Polarized retroreflective, Visible red, 650 nm                | 10 mm to 3 m (0.4 in to 10 ft)       |                    |                 |
| SME312LPC          | Polarized retroreflective, Visible red, 650 nm (clear object) | 1 m (3.3 ft) with supplied reflector |                    |                 |

### Diffuse Models

| Model <sup>1</sup> | Sensing Mode                        | Range or Focus  | Supply Voltage     | Output Type     |
|--------------------|-------------------------------------|-----------------|--------------------|-----------------|
| SME312D            | Diffuse, Infrared, 880 nm           | 380 mm (15 in)  | 10 V dc to 30 V dc | Bipolar NPN/PNP |
| SME312DV           | Diffuse, Visible red, 650 nm        | 1100 mm (43 in) |                    |                 |
| SME312W            | Divergent Diffuse, Infrared, 880 nm | 130 mm (5 in)   |                    |                 |

<sup>1</sup> Standard 2 m (6.5 ft) cable models are listed. To order the 9 m (30 ft) cable model, add suffix "W/30" to the model number (for example, SME312LV W/30.) To order the 5-pin Euro-style QD models, add suffix "QD" (for example, SME312LVQD). Models with a QD connector require a mating cable.

<sup>2</sup> Sensing ranges vary according to the efficiency and reflective area of the retroreflector(s) used. (Retroreflective tape is not recommended for use with Clear Object Detection models.) See *Accessories* and the Banner Engineering catalog for more information.



## Convergent Models

| Model <sup>1</sup> | Sensing Mode                          | Range or Focus  | Spot Size at Focus | Supply Voltage     | Output Type     |
|--------------------|---------------------------------------|-----------------|--------------------|--------------------|-----------------|
| SME312CV           | Convergent, Visible red, 650 nm       | 16 mm (0.65 in) | 1.3 mm (0.05 in)   | 10 V dc to 30 V dc | Bipolar NPN/PNP |
| SME312CV2          | Convergent, Visible red, 650 nm       | 43 mm (1.7 in)  | 3.0 mm (0.12 in)   |                    |                 |
| SME312CVG          | Convergent, Visible green, 525 nm     | 16 mm (0.65 in) | 1.0 mm (0.04 in)   |                    |                 |
| SME312CVB          | Convergent, Visible blue, 475 nm      | 16 mm (0.65 in) | 1.8 mm (0.07 in)   |                    |                 |
| SME312CVW          | Convergent, Visible white, 450–650 nm |                 |                    |                    |                 |

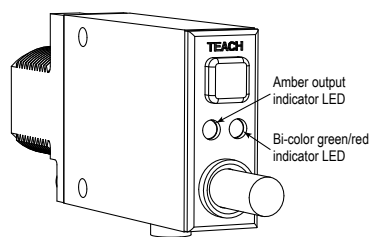
## Glass Fiber Optic Models

| Model <sup>1</sup> | Sensing Mode                                 | Range or Focus                                     | Supply Voltage     | Output Type     |
|--------------------|--|--|--------------------|-----------------|
| SME312F            | Glass Fiber Optic, 880 nm infrared           | Range varies by sensing mode and fiber optics used | 10 V dc to 30 V dc | Bipolar NPN/PNP |
| SME312FV           | Glass Fiber Optic, Visible red, 650 nm       |  |                    |                 |
| SME312FVG          | Glass Fiber Optic, Visible green, 525 nm     |  |                    |                 |
| SME312FVB          | Glass Fiber Optic, Visible blue, 475 nm      |  |                    |                 |
| SME312FWW          | Glass Fiber Optic, Visible white, 450–650 nm |  |                    |                 |

## Plastic Fiber Optic Models

| Model <sup>1</sup> | Sensing Mode                                   | Range or Focus                                     | Supply Voltage     | Output Type     |
|--------------------|--|--|--------------------|-----------------|
| SME312FP           | Plastic Fiber Optic, Visible red, 650 nm       | Range varies by sensing mode and fiber optics used | 10 V dc to 30 V dc | Bipolar NPN/PNP |
| SME312FPG          | Plastic Fiber Optic, Visible green, 525 nm     |  |                    |                 |
| SME312FPB          | Plastic Fiber Optic, Visible blue, 475 nm      |  |                    |                 |
| SME312FPW          | Plastic Fiber Optic, Visible white, 450–650 nm |  |                    |                 |

## Overview



MINI-BEAM<sup>®</sup> Expert<sup>™</sup> is a complete family of sensors, all housed in the popular, robust and compact rectangular housing. Their large push button and easy-to-see indicators provide easy configuration, alignment, and monitoring during use.

Retroreflective and Polarized Retroreflective Mode models are excellent for sensing relatively small items where opposed-mode sensing is not possible. They are recommended for relatively clean environments where high excess gain is not required. Polarized models filter out unwanted reflections.

Polarized Retroreflective Mode – Clear Object Detection models reliably detect the presence of clear objects.

Diffuse Mode models are excellent for sensing objects of adequate size and reflectivity at short range. Divergent models are useful for sensing small items and translucent or transparent materials at close range. The SME312DV sensors effectively sense specular surfaces like semi-conductor wafers, disk drive media, glass and machined surfaces. The collimated optics of the SME312DV also permits the sensor to be mounted against clear container walls, view ports and other types of optical “feed-throughs.”

Convergent Mode models are a good choice for counting adjacent radiused objects and for accurate position sensing. Blue, green and white beam models are recommended for color mark sensing.

Glass Fiber Optic models are an excellent option for sensing in tight or otherwise inaccessible areas. Fibers withstand vibration and shock and are immune to electrical noise. Glass fibers withstand high temperatures, extreme moisture and corrosive materials. Glass fibers are not recommended for applications requiring bending or repeated flexing (see plastic fiber models). Visible beam models are recommended for color mark sensing.

Plastic Fiber Optic models are an excellent option for sensing in tight or otherwise inaccessible areas. Fibers withstand vibration and shock and are immune to electrical noise. Plastic fibers function well at temperatures from -30° to +70° C (-20° F to +158° F), and stand up to repeated flexing. Most are easy to shorten in the field, for custom installations. Plastic fibers are not recommended for severe environments (see glass fiber models). Plastic fiber optic sensors are recommended for color mark sensing.

## Status Indicators

Normal sensor operation is called RUN mode. Sensor configuration (setting the sensitivity threshold and selecting output ON and OFF conditions) is performed in TEACH mode. The two LED indicators (bi-color green/red and amber) have distinct roles in the two operation modes. If contrast is marginal, the bi-color indicator will flash green to indicate instability. If this occurs, reconfigure or realign the sensor, or clean the sensor or fiber lenses.

The Signal Strength indicator is Banner's exclusive AID™ (Alignment Indicating Device). Its pulse rate increases as the received light signal strength increases (during programming). This feature simplifies accurate alignment during TEACH mode, and gives a relative indication of sensing contrast between the light and dark conditions.

| LED            | RUN Mode   | TEACH Mode  |
|----------------|--|---|
| Solid green    | Power is on  |   |
| Flashing green | Sensed light level is approaching sensing threshold <sup>3</sup> |   |
| Solid red      |  | Sensor "sees" its own modulated light source; pulse rate is proportional to the received light signal strength <sup>4</sup> |
| Amber on       | Outputs conducting   | Ready to TEACH output ON condition  |
| Amber off      | Outputs not conducting   | Ready to TEACH output OFF condition   |

## Remote Configuration

The remote function can be used to configure the sensor remotely or to disable the push button for security. Connect the gray wire of the sensor to ground (0 V dc), with a remote programming switch connected between them. Pulse the remote line according to the diagrams in the configuration procedures. The length of the individual programming pulses is equal to the value T where: 0.04 seconds ≤ "T" ≤ 0.8 seconds

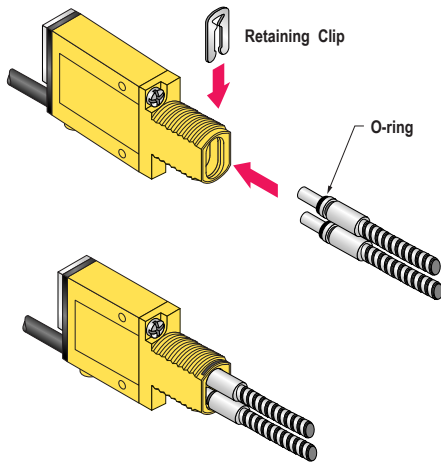
## Installation

### Wiring Diagrams



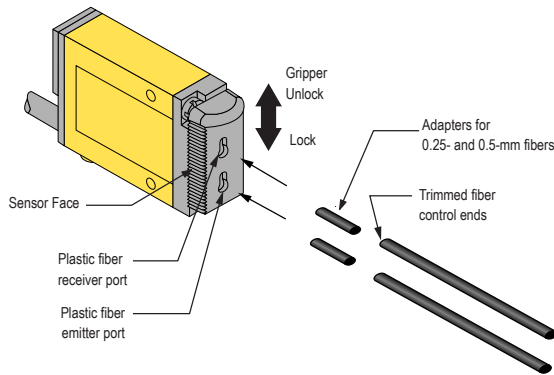
<sup>3</sup> This is the Stability indicator, which signals when maintenance, realignment, or reconfiguration is needed during RUN mode.  
<sup>4</sup> The faster the pulse rate, the stronger the light signal.

## Glass Fiber Installation



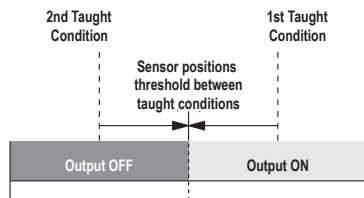
1. Install the O-ring (supplied with the fiber) on each fiber end, as shown in the drawing.
2. While pressing the fiber ends firmly into the ports on the sensor front, slide the U-shaped retaining clip (supplied with the sensor) into the slot in the sensor's barrel, until it snaps into place.

## Plastic Fiber Installation



1. With supplied fiber cutter, make a clean cut at the control ends of fibers.
2. Unlock the fiber gripper as shown in the drawing.
3. Apply appropriate fiber adapters to the fiber, if needed.
4. Gently insert the prepared fiber ends into the ports as far as they will go.
5. Slide the fiber gripper back to lock, as shown in the drawing.

## Static Teach



The two sensing conditions may be presented in either order. The condition presented first is the condition for which the output will energize (the "Output ON" target).

Sensitivity is automatically set (and optimized) when teaching the sensor the ON and OFF conditions. When the push button is clicked, the sensor samples each sensing condition and registers it into memory. After the second sensing condition is registered, the MINI-BEAM Expert automatically sets the sensitivity to the optimum value for the application, and then returns to RUN mode.

Push button (0.04 seconds ≤ "Click" ≤ 0.8 seconds); Remote line (0.04 seconds ≤ "T" ≤ 0.8 seconds)

1. Access TEACH mode.

| Method          | Action   | Result   |
|-----------------|--|--|
| Via push button | Press and hold push button until the bi-color (green/red) indicator begins to flash red, or turns OFF. | Push button method only: The amber LED is on. The red LED pulses to indicate relative received signal strength. The sensor is ready for the output ON condition. |
| Via remote line | No action required; sensor is ready for 1st sensing condition.   |  |

## 2. Teach the first sensing condition.

| Method          | Action  | Result   |
|-----------------|---|--|
| Via push button | Present the first sensing condition and click the push button.        | The amber LED is off. The red LED pulses to indicate relative signal strength. The sensor registers the output ON condition and is ready for the output OFF condition. |
| Via remote line | Present the first sensing condition and single-pulse the remote line. |  |

## 3. Teach the second sensing condition and return to RUN mode.

| Method          | Action   | Result   |
|-----------------|--|--|
| Via push button | Present the second sensing condition and click the push button.        | If the teach is accepted the green LED is on (or flashes if the signal is close to the switching threshold) and the amber LED is off until the sensing condition changes; the sensor registers the output OFF condition, positions the threshold, and returns to RUN mode.<br><br>If the teach is not accepted, the amber LED is on and the red LED pulses to indicate the relative received signal strength. The sensor returns to its wait state and is ready for the first sensing condition. |
| Via remote line | Present the second sensing condition and single-pulse the remote line. |  |



NOTE: The sensor returns to RUN mode if the first TEACH condition is not registered within 90 seconds. TEACH mode may be cancelled before either the first or second condition by holding the push button depressed for more than two seconds.

## Enabling or Disabling the Push Button

In addition to its programming function, the remote line may be used to disable the push buttons for security. Disabling the push buttons prevents undesired tampering with the sensor configuration settings.

1. Connect the sensor's gray wire.
2. Four-pulse the remote line to enable or disable the push button.  
The sensor toggles between enable and disable settings and returns to RUN mode.

## Specifications

### Supply Voltage and Current

10 V dc to 30 V dc (10% maximum ripple) at less than 45 mA, exclusive of load

### Supply Protection Circuitry

Protected against reverse polarity and transient voltages

### Adjustments

Push-button TEACH mode sensitivity setting; remote TEACH mode input is provided

### Indicators

Two LEDs: amber and bi-color green/red

### Construction

Reinforced thermoplastic polyester housing, totally encapsulated, o-ring seal, acrylic lenses, and stainless steel screws.

### Required Overcurrent Protection



**WARNING:** Electrical connections must be made by qualified personnel in accordance with local and national electrical codes and regulations.

Overcurrent protection is required to be provided by end product application per the supplied table.

Overcurrent protection may be provided with external fusing or via Current Limiting, Class 2 Power Supply.

Supply wiring leads < 24 AWG shall not be spliced.

For additional product support, go to <http://www.bannerengineering.com>.

| Supply Wiring (AWG) | Required Overcurrent Protection (Amps) |
|---------------------|--|
| 20                  | 5.0                                    |
| 22                  | 3.0                                    |
| 24                  | 2.0                                    |
| 26                  | 1.0                                    |
| 28                  | 0.8                                    |
| 30                  | 0.5                                    |

### Connections

PVC-jacketed 5-conductor 2 m (6.5 ft) or 9 m (30 ft) unterminated cable, or 5-pin Euro-style quick-disconnect (QD) fitting are available. QD cables are ordered separately.

### Application Notes

The first condition presented during TEACH mode becomes the output ON condition.

### Output Configuration

Bipolar: One current sourcing (PNP) and one current sinking (NPN) open-collector transistor

### Output Rating

150 mA maximum each output at 25° C, derated to 100 mA at 70° C (derate ≈1 mA per °C)

Off-state leakage current: less than 5 µA at 30 V dc

ON-state saturation current: less than 1 V at 10 mA; less than 1.5 V at 150 mA

### Output Protection Circuitry

Protected against false pulse on power-up and continuous overload or short-circuit of outputs

### Output Response Time

Sensors will respond to either a "light" or a "dark" signal of 500 microseconds or longer duration, 1 kHz max.



**NOTE:** 1 second delay on power-up; outputs do not conduct during this time.

### Repeatability

100 microseconds (all models)

### Rating

Meets NEMA standards 1, 2, 3, 3S, 4, 4X, 6, 12, and 13; IEC IP67

### Operating Conditions

Temperature: -20° to +70° C (-4° to +158° F)

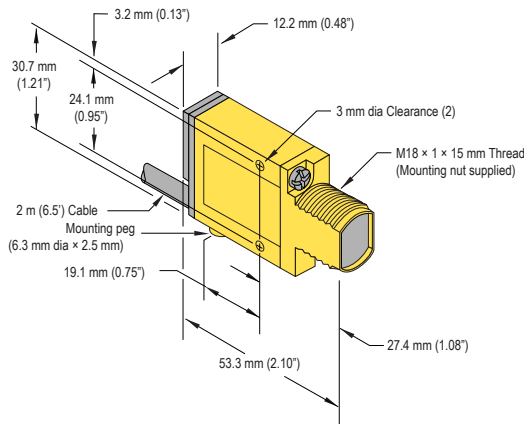
Max. Relative Humidity: 90% at 50° C (non-condensing)



## Dimensions

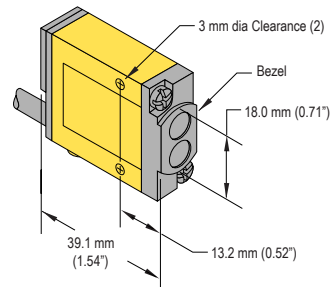
### Cabled Models

(Suffix E, EL, EPD, R, RL, RPD, LV, LVAG, LP, LPC, D, C, C2, CV, CV2, CVG, CV2G, CVB, CV2B, CVW )



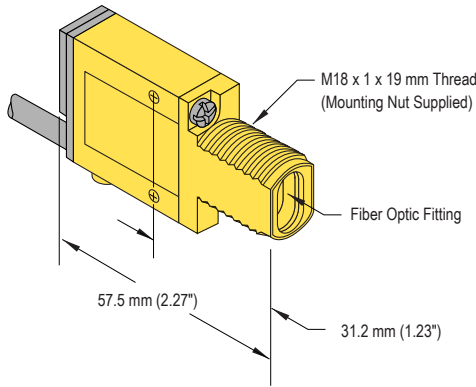
### Divergent Diffuse Models

(Suffix DBZ and W)



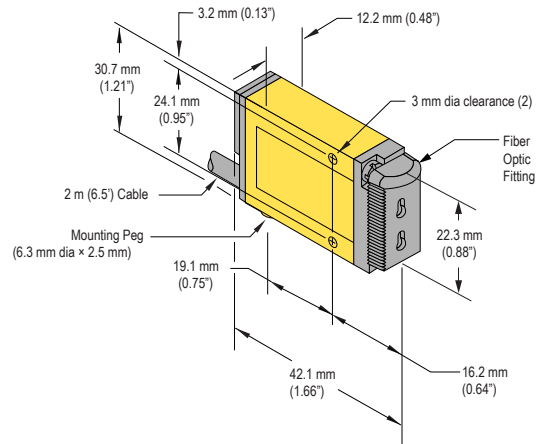
Glass Fiber Models

(Suffix F, FV, FVB, FVG, FW)

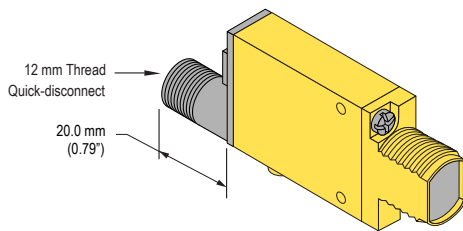


Plastic Fiber Models

(Suffix FP, FPB, FPG, FPH, FPW)

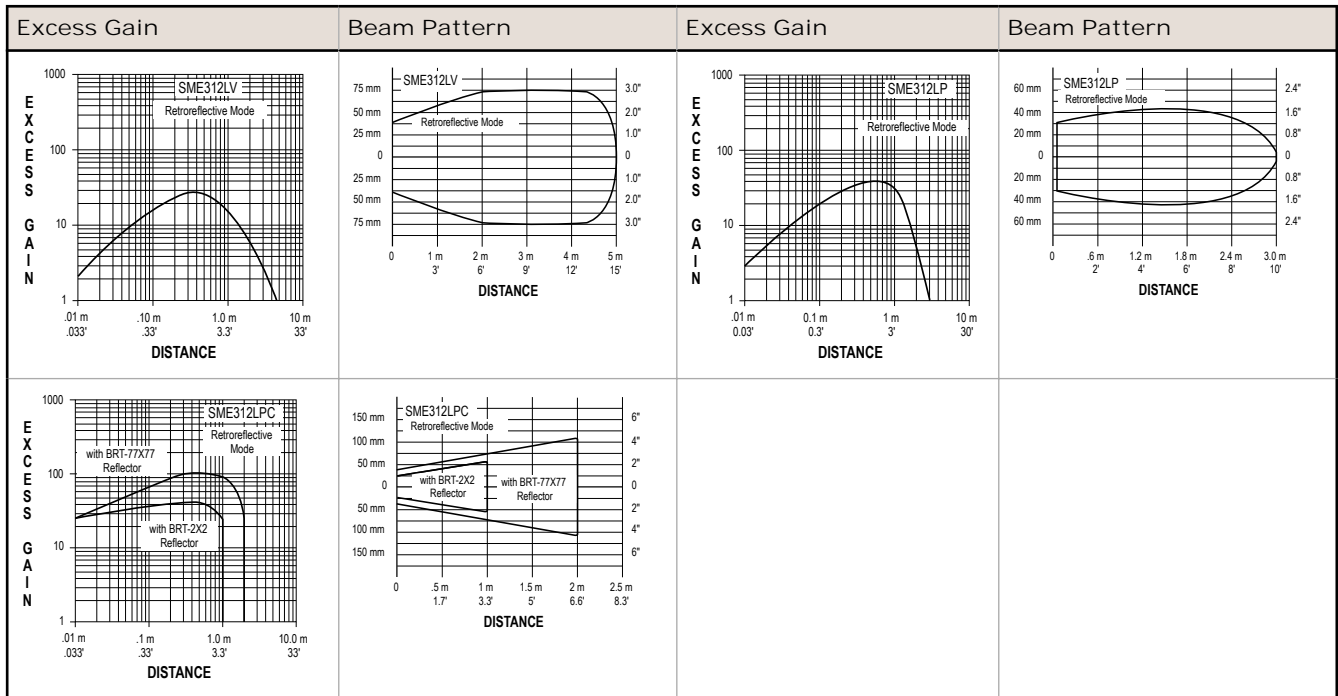


QD Models



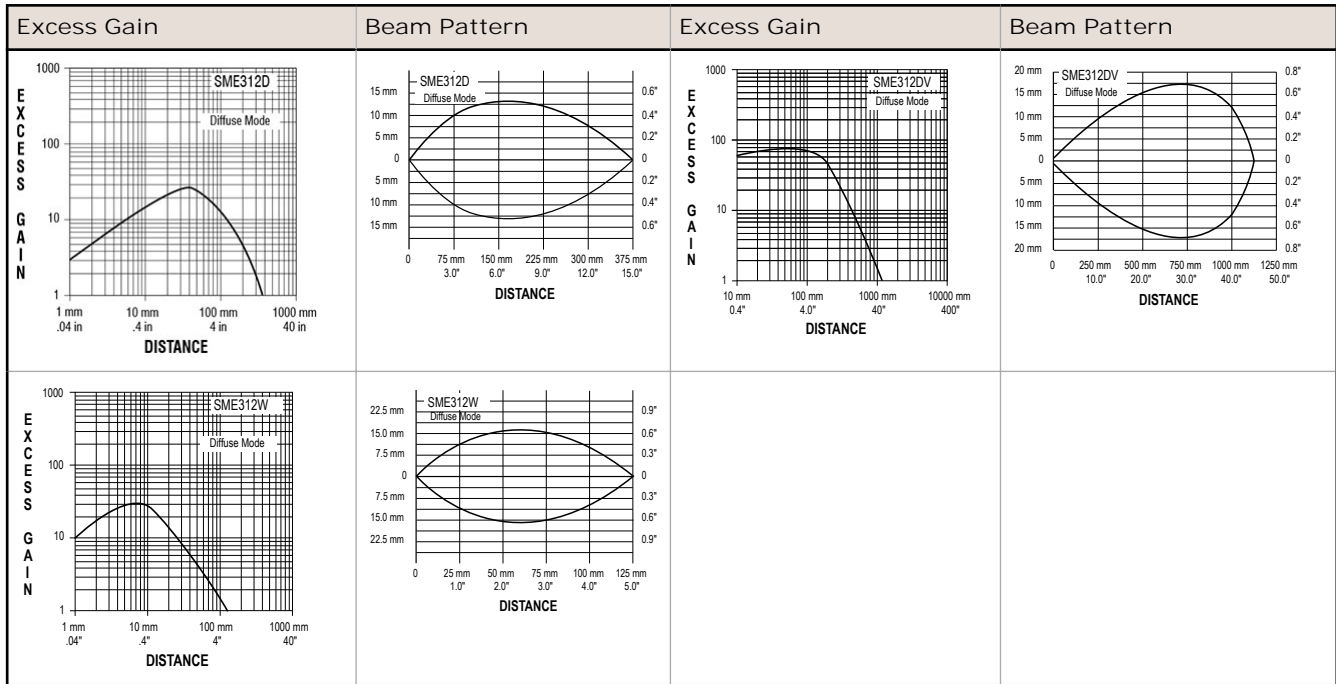
Performance Curves

Retroreflective

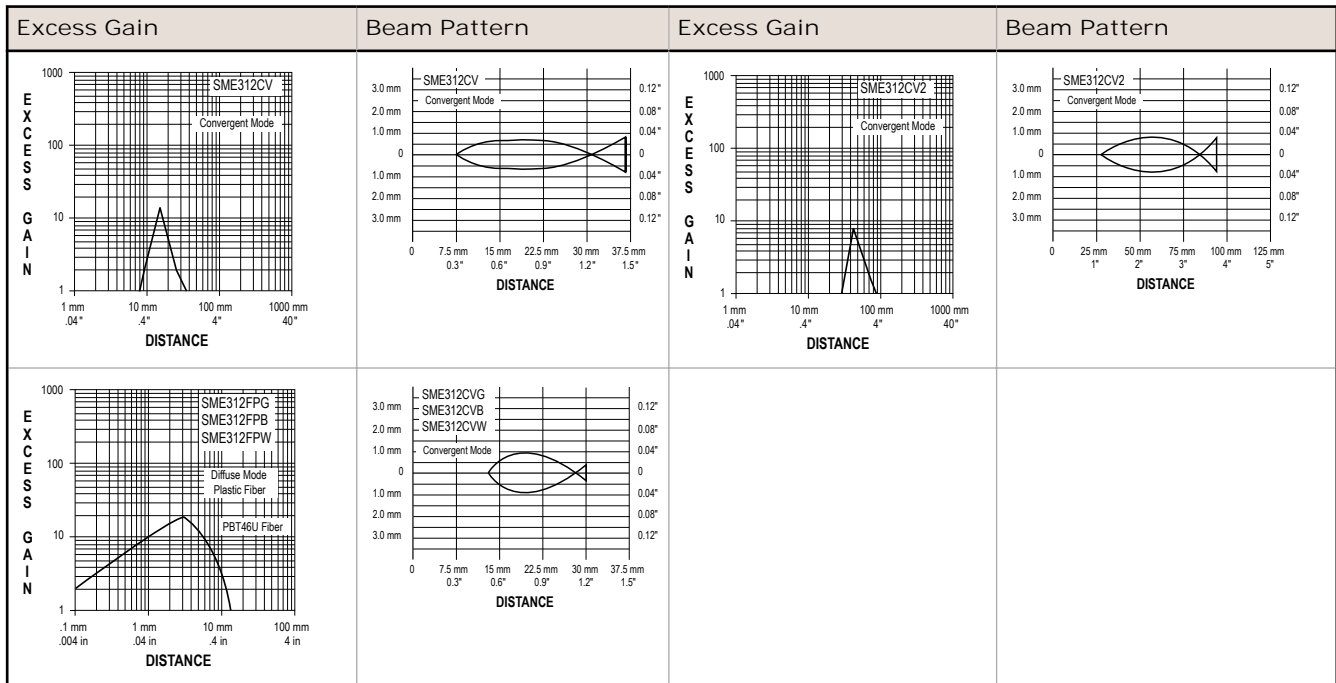


Diffuse

Diffuse-mode performance based on 90% reflectance white test card.

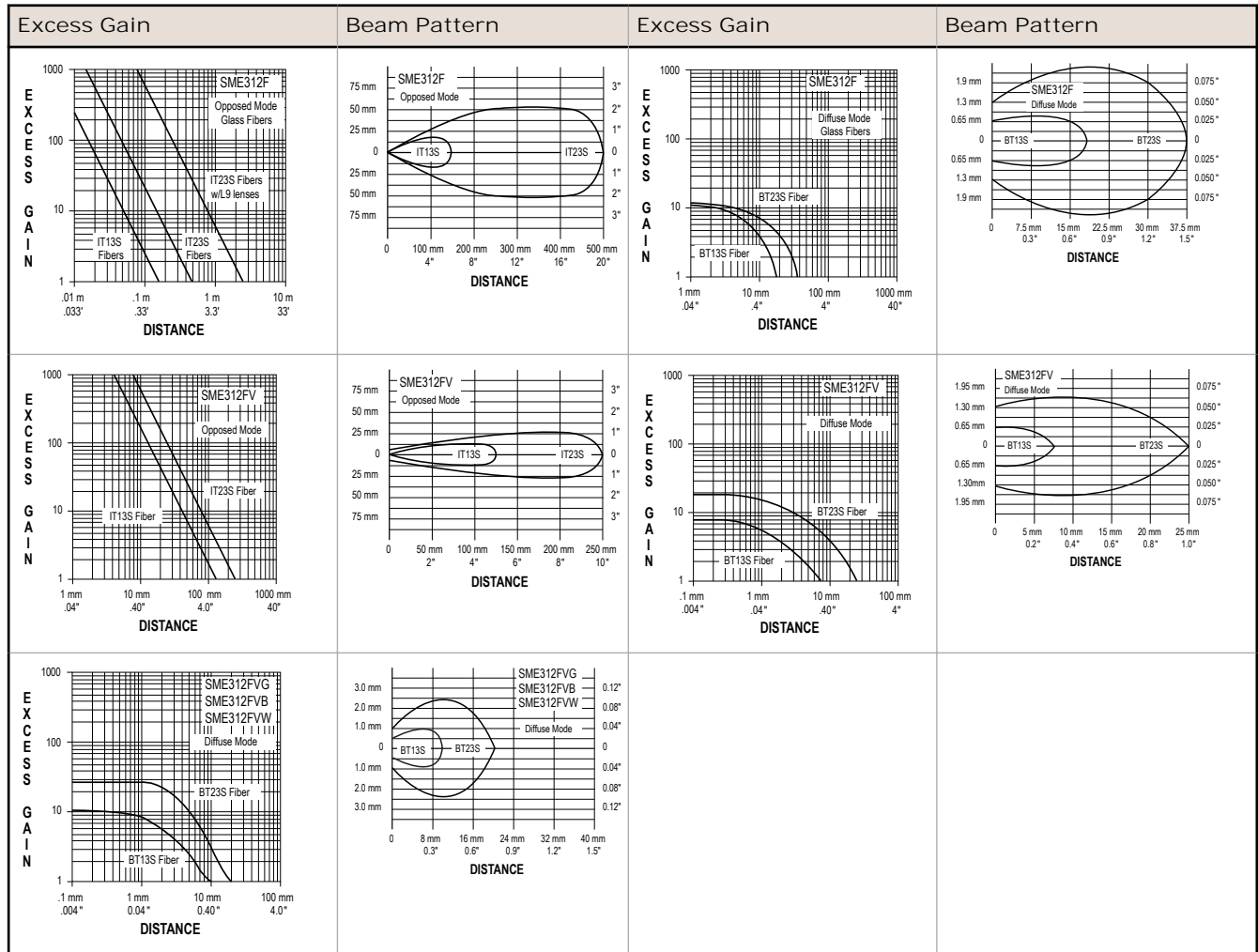


Convergent

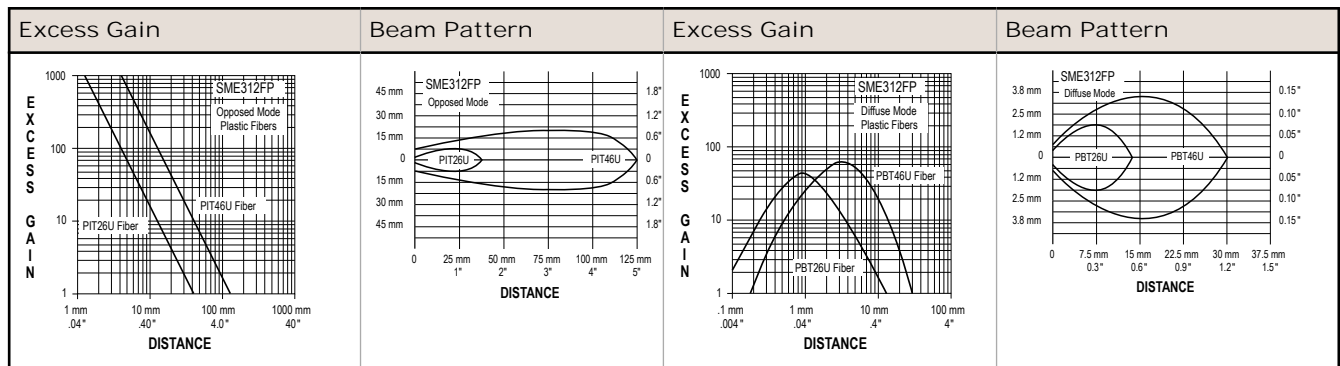


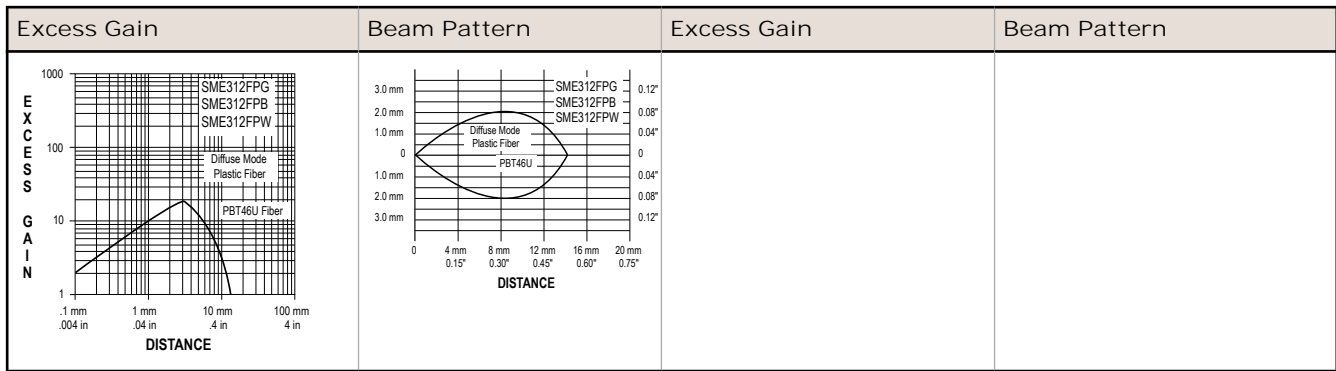


Glass Fiber Optic



Plastic Fiber Optic





## Troubleshooting

If the MINI-BEAM Expert's Power LED alternately flashes red/green, this indicates a microprocessor memory error. To clear the error, re-teach the sensor or cycle the power ON and OFF and re-teach the sensor. If this does not solve the problem, or if it occurs frequently, replace the sensor.

## Accessories

### Retroreflective Targets

Banner offers a wide selection of high-quality retroreflective targets. See your current Banner Engineering Corp catalog for complete information on available models. Sensing range will vary, according to the retroreflector's efficiency and reflective area.

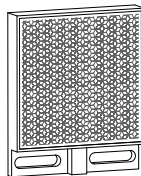
- For long-range applications: model BRT-77X77C reflector provides a range up to 2 m (6.5').
- For clear object detection (low-contrast applications): reflector model BRT-2X2 is recommended; one comes bundled with each SME312LPC(QD) sensor.
- Polarized sensors require corner-cube type retroreflective targets only; reflective tape is not recommended.

Before installing retroreflective tape, clean the mounting surface with an isopropyl alcohol wipe.

Optional brackets for mounting reflective targets are available. See the Accessories section of your current Banner catalog or our website at [www.bannerengineering.com](http://www.bannerengineering.com).

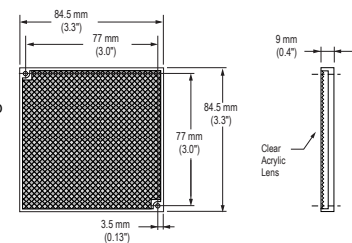
#### BRT-2X2

- Square, acrylic target
- Reflectivity factor: 1.0
- Max. temperature: +50 °C (+122 °F)
- Optional brackets are available
- Approximate size: 51 mm x 51 mm



#### BRT-77X77C

- Square, acrylic target
- Reflectivity Factor: 2.0
- Temperature: -20 °C (-4 °F to +60 °C (+140 °F)
- Optional brackets are available
- Approximate size: 84.5 mm x 84.5 mm



#### BRT-TVHG

- Reflectivity factor: 0.8
- Max. Temperature: +60 °C (+140 °F)

Retroreflective tape is available in a variety of sizes and shapes; see your Banner Catalog for more information.

Not recommended for use with clear object detection sensors.

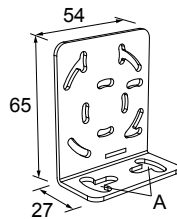
## 5-Pin Euro-Style Cordsets

| 5-Pin Threaded M12/Euro-Style Cordsets—Single Ended |                 |             |            |  |
|---|-----------------|-------------|------------|--|
| Model   | Length          | Style       | Dimensions | Pinout (Female)  |
| MQDC1-501.5   | 0.50 m (1.5 ft) | Straight    |            | <p>1 = Brown<br/>2 = White<br/>3 = Blue<br/>4 = Black<br/>5 = Gray</p> |
| MQDC1-506   | 1.83 m (6 ft)   |             |            |  |
| MQDC1-515   | 4.57 m (15 ft)  |             |            |  |
| MQDC1-530   | 9.14 m (30 ft)  |             |            |  |
| MQDC1-506RA   | 1.83 m (6 ft)   | Right-Angle |            |  |
| MQDC1-515RA   | 4.57 m (15 ft)  |             |            |  |
| MQDC1-530RA   | 9.14 m (30 ft)  |             |            |  |

## Mounting Brackets

### SMB46L

- Right-angle
- L bracket
- 14-ga. 316 stainless steel

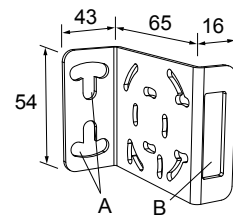


Hole center spacing: A = 16.0

Hole size: A = 16.5 × 18.7

### SMB46S

- Right-angle
- S bracket
- 14-ga. 316 stainless steel

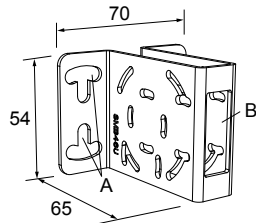


Hole center spacing: A = 16.0

Hole size: A = 16.5 × 18.7, B = 34.0 × 10.0

### SMB46U

- Right-angle
- U bracket for sensor protection
- 14-ga. 316 stainless steel

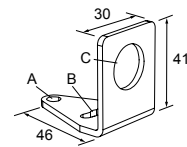


Hole center spacing: A = 16.0

Hole size: A = 16.5 × 18.7, B = 34.0 × 13.0

### SMB18A

- Right-angle mounting bracket with a curved slot for versatile orientation
- 12-ga. stainless steel
- 18 mm sensor mounting hole
- Clearance for M4 (#8) hardware

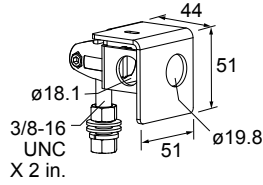


Hole center spacing: A to B = 24.2

Hole size: A = ø 4.6, B = 17.0 × 4.6, C = ø 18.5

SMB18AFA..

- Protective, swivel bracket with tilt and pan movement for precision adjustment
- Easy sensor mounting to extruded rail T-slots
- Metric and inch size bolts available
- Mounting hole for 18 mm sensors

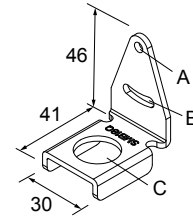


Hole size: B =  $\phi$  18.1

| Model       | Bolt Thread (A) |
|-------------|-----------------|
| SMB18AFA    | 3/8 - 16 x 2 in |
| SMB18AFAM10 | M10 - 1.5 x 50  |

SMB18Q

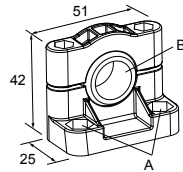
- Right-angle flanged bracket
- 18 mm sensor mounting hole
- 12-ga. stainless steel



Hole center spacing: A to B = 24.2  
Hole size: A =  $\phi$  4.6, B = 17.0 x 4.6, C =  $\phi$  19.0

SMB18SF

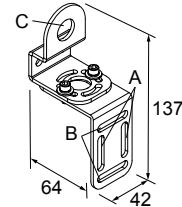
- 18 mm swivel bracket with M18 x 1 internal thread
- Black thermoplastic polyester
- Stainless steel swivel locking hardware included



Hole center spacing: A = 36.0  
Hole size: A =  $\phi$  5.3, B =  $\phi$  18.0

SMB18UR

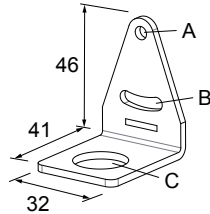
- 2-piece universal swivel bracket
- 300 series stainless steel
- Stainless steel swivel locking hardware included
- Mounting hole for 18 mm sensor



Hole center spacing: A = 25.4, B = 46.7  
Hole size: B = 6.9 x 32.0, C =  $\phi$  18.3

SMB312PD

- Right-angle mounting bracket with a curved slot for versatile orientation
- 12-ga. stainless steel
- 18 mm sensor mounting hole
- Clearance for M4 (#8) hardware



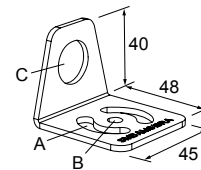
Hole center spacing: A to B = 24.2  
Hole size: A =  $\phi$  4.6, B = 17 x 4.6, C =  $\phi$  18.5



NOTE: Not for use with plastic fiber optic sensors

SMBAMS18RA

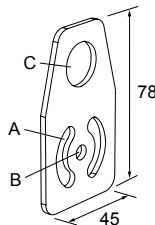
- Right-angle SMBAMS series bracket with 18 mm hole
- Articulation slots for 90+° rotation
- 12-ga. (2.6 mm) cold-rolled steel



Hole center spacing: A = 26.0, A to B = 13.0  
Hole size: A = 26.8 x 7.0, B =  $\phi$  6.5, C =  $\phi$  19.0

SMBAMS18P

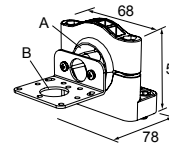
- Flat SMBAMS series bracket with 18 mm hole
- Articulation slots for 90+° rotation
- 12-ga. (2.6 mm) cold-rolled steel



Hole center spacing: A = 26.0, A to B = 13.0  
Hole size: A = 26.8 x 7.0, B =  $\phi$  6.5, C =  $\phi$  19.0

SMB30SK

- Flat-mount swivel bracket with extended range of motion
- Black reinforced thermoplastic polyester and 316 stainless steel
- Stainless steel swivel locking hardware included



Hole center spacing: A = 50.8  
Hole size: A =  $\phi$  7, B =  $\phi$  18